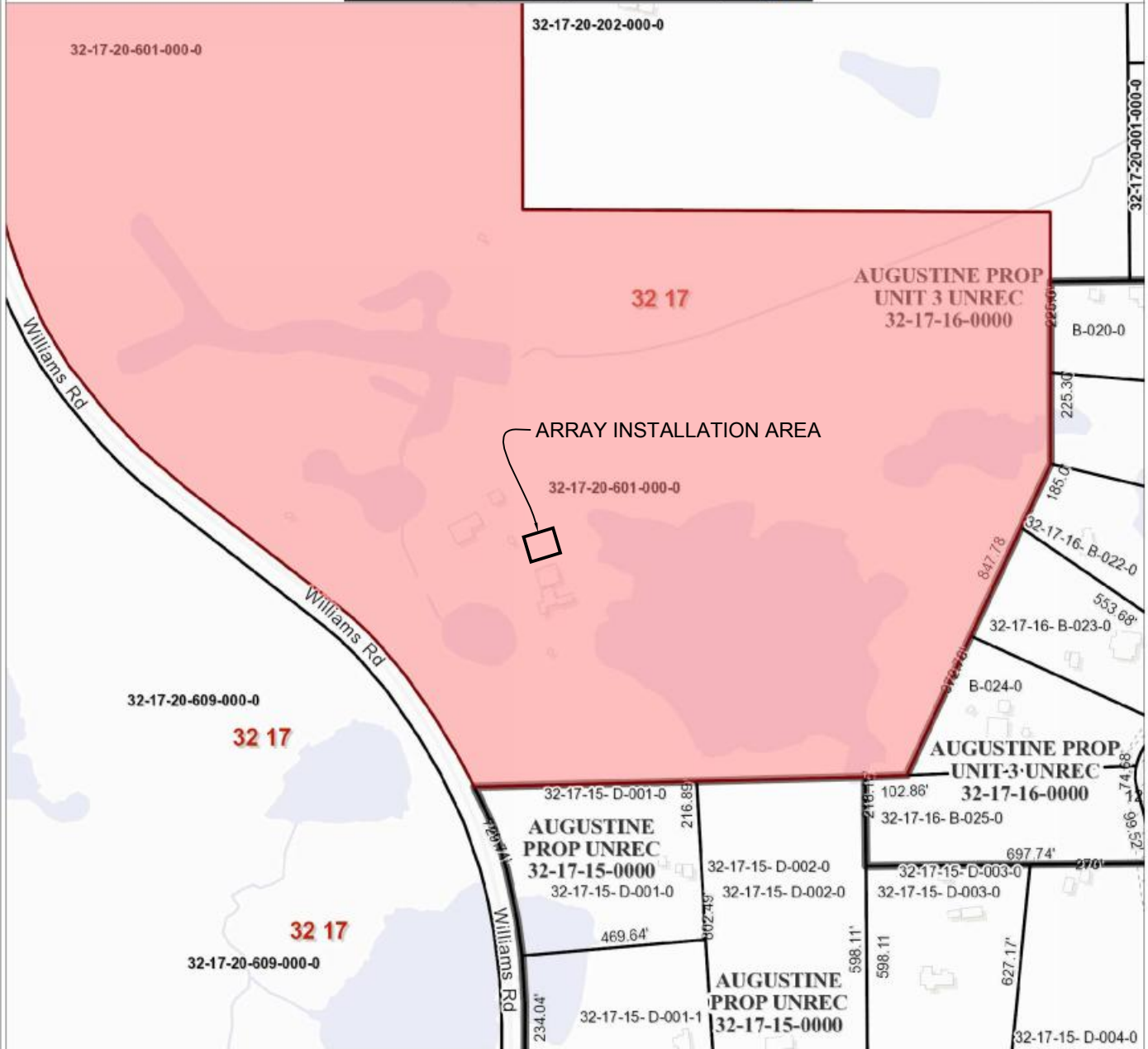


315 S. Calhoun St
Tallahassee, FL 32301

Bert Hartsfield, CFA
Leon County Property Appraiser



Phone - (850) 606-6200
www.leonpa.org



3217206010000

Legend			
	Township		Buildings 2009 Aerial
	Section		Railroad
	Parcels		Major Lakes
	Subdivision		Waterbody
			Rivers

N

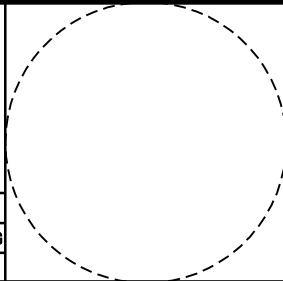


Date Drawn: Feb 02, 2014



EOR

JAMES TIPPENS, PE 12217
2492 GULF BREEZE CIRCLE
CRYSTAL BEACH, FL 34683-2611
PHONE 727 789 0615



PROJECT **WILLIAMS JOHN L JR**
PHOTOVOLTAIC GROUND MOUNT INSTALLATION

ADDRESS 4781 WILLIAMS RD,
TALLAHASSEE FL 32311
(PID 3217206010000)

TITLE **PARCEL LOCATION**

PUBLISHED: 2/2/2014 3:35 PM

CAD DWG FILE: 0337P.SSS.WILLIAMS_TALLAHASSEE_FL.DWG

DRAWN BY: [unclear] CHECKED BY: [unclear]



REVISION

DRAWING

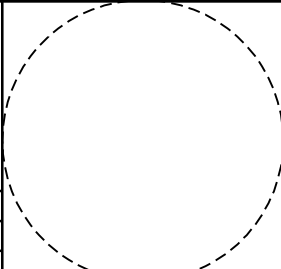
PV01




TYPICAL GROUND MOUNT PV ARRAY

EOR
 JAMES TIPPENS, PE 12217
 2492 GULF BREEZE CIRCLE
 CRYSTAL BEACH, FL 34683-2611
 PHONE 727 789 0615

PUBLISHED: 2/2/2014 3:35 PM
 CAD DWG FILE: 0337P.SSS.WILLIAMS_TALLAHASSEE_FL.DWG
 DRAWN BY: CR CHECKED BY: AC

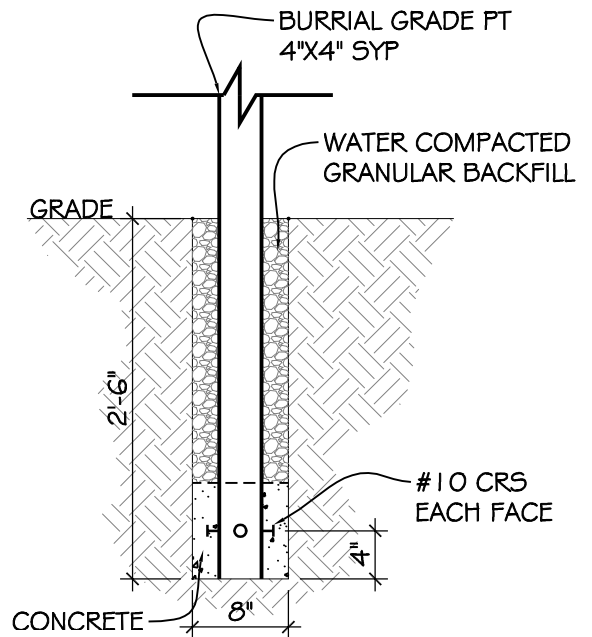


PROJECT WILLIAMS JOHN L JR PHOTOVOLTAIC GROUND MOUNT INSTALLATION		TITLE ARRAY INSTALLATION LOCATION	
ADDRESS 4781 WILLIAMS RD, TALLAHASSEE FL 32311 (PID 3217206010000)		REVISION	DRAWING PV02
 computer aided design Advice			



STRUCTURAL NOTES:

PT WOOD GROUND MOUNT FOR PV ARRAY
 ALL FASTENERS CRS (CORROSION RESISTANT STEEL) MINIMUM 1/4-INCH DIAMETER X 4" LAG OR 16-D RING SHANK USE ONE SIZE SMALLER, 3/4-DEPTH, PILOT HOLE FOR ALL FASTENERS. MINIMUM TWO FASTENERS AT EACH WOOD-TO-WOOD CROSSING POINT
 ALL WOOD PRESSURE TREATED. ALL GROUND CONTACT WOOD SHALL BE BURIAL GRADE PRESSURE TREATED. ALL VERTICAL SUPPORT POSTS SET IN MINIMUM 2-1/2 FOOT DEEP, 8-INCH DIAMETER HOLES, DRIVE CRS 12-D NAIL 1/2 DEPTH INTO EACH SIDE OF POST 4-INCHES UP FROM BOTTOM, COVER WITH MINIMUM 2000-PSI BAG MIX (MAY BE LEFT DRY) CONCRETE A TOTAL 8-INCH DEPTH FROM HOLE BOTTOM, BACKFILL WITH GRANULAR MATERIAL, AND USE WATER TO CONSOLIDATE BACKFILL. THIS PROCEDURE WILL PRODUCE A CONE OF UPLIFT RESISTANCE OF SOIL EQUALING AT LEAST 600-POUNDS AT EACH GROUND ANCHOR POINT.



TYPICAL FOUNDATION DETAIL 3/4" = 1'-0"

EOR

JAMES TIPPENS, PE 12217
 2492 GULF BREEZE CIRCLE
 CRYSTAL BEACH, FL 34683-2611
 PHONE 727 789 0615

PUBLISHED: 2/2/2014 3:35 PM
 CAD DWG FILE: 0337P.SSS.WILLIAMS_TALLAHASSEE_FL.DWG

PROJECT WILLIAMS JOHN L JR
 PHOTOVOLTAIC GROUND MOUNT INSTALLATION

ADDRESS 4781 WILLIAMS RD,
 TALLAHASSEE FL 32311
 (PID 3217206010000)

TITLE STRUCTURAL DETAILS



REVISION

DRAWING PV03

JAMES TIPPENS, PE 12217
2492 GULF BREEZE CIRCLE
CRYSTAL BEACH, FL 34683-2611
PHONE 727 789 0615

TO: AUTHORITY HAVING JURISDICTION (AHJ), CONTRACTOR, OWNER, & OTHERS INTERESTED

SUBJECT: PROFESSIONAL OPINION - "SIMPLER SOLAR SOLUTIONS" PV GROUND MOUNT
STRUCTURE

02 FEBURARY 2014

SIR/MADAM:

I HAVE REVIEWED, SIGNED, & SEALED 4-PAGES (ATTACHED) CONTAINING PHOTOS AND
STRUCTURAL DETAILS RELEVANT TO THIS PROJECT - 10-KW PV GROUND MOUNT LOCATED
AT 4781 WILLIAMS ROAD, TALLAHASSEE, FL 32311.

I HAVE EVALUATED THE STRUCTURE SHOWN IN THE PICTURES AND HAVE CONSIDERED THE
DETAILS PROVIDED BY CONTRACTOR:

ALL LUMBER SHALL BE PRESSURE TREATED.
ALL 4-INCH BY 4-INCH POSTS SHALL BE IN 2.5-FT DEEP HOLES WITH MINIMUM OF 30-POUNDS
OF CONCRETE AT BOTTOM OF EACH HOLE SURROUNDING POSTS.

ALL FASTENERS SHALL BE MINIMUM #12, CORROSION RESISTANT STEEL THRU TOP MEMBER
WITH MINIMUM 3-INCH PENETRATION INTO BOTTOM MEMBER.

I AM SATISFIED THAT THIS STRUCTURE SATISFIES THE REQUIREMENT OF THE CURRENT
FLORIDA BUILDING CODE.

I AM AVAILABLE PER THE LETTERHEAD IF QUESTIONS REMAIN.

SINCERELY,

EOR

JAMES TIPPENS, PE 12217
2492 GULF BREEZE CIRCLE
CRYSTAL BEACH, FL 34683-2611
PHONE 727 789 0615

PUBLISHED: 2/2/2014 3:35 PM

CAD DWG FILE: 0337P.SSS.WILLIAMS_TALLAHASSEE_FL.DWG

PROJECT WILLIAMS JOHN L JR
PHOTOVOLTAIC GROUND MOUNT INSTALLATION

ADDRESS 4781 WILLIAMS RD,
TALLAHASSEE FL 32311
(PID 3217206010000)

TITLE
STRUCTURAL DETAILS

 **cAdvice.us**
computer aided design Advice

REVISION

DRAWING

PV04